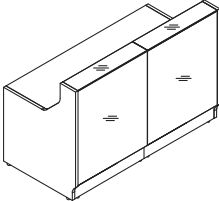
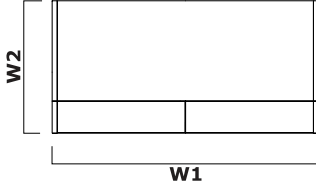
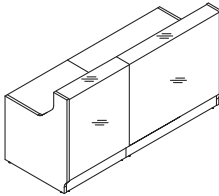
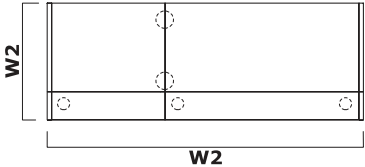
						
Symbol		Dimensions					kg m3 pcs	Composition elements
		W1	W2	D1	D2	H		
<b>LIN08</b>		856	824			1105	69.5 kg 0.345 m3 5 pcs	LN5L+LNB08+LN08+LN5P
<b>LIN13</b>		1256	824			1105	87.5 kg 0.479 m3 5 pcs	LN5L+LNB13+LN12+LN5P

Extra charge						

								
Symbol		Dimensions					kg m3 pcs	Composition elements
		W1	W2	D1	D2	H		
<b>LIN15</b>		1656	824			1105	107 kg 0.623 m3 7 pcs	LN5L+LNB15+2xLN08+LN5P

Extra charge						
Monitor shelf x1						
	X					

								
Symbol		Dimensions					kg m3 pcs	Composition elements
		W1	W2	D1	D2	H		
<b>LIN20</b>		2056	824			1105	134 kg 0.826 m3 10 pcs	LN5L+LNB13+LN08+LN12+LNB08 +LN5P+NL41

Extra charge						
Monitor shelf x1						
	X					

Symbol		Dimensions					kg m3 pcs	Composition elements
		W1	W2	D1	D2	H		
<b>LIN25</b>		2456	824			1105	149 kg 0.955 m3 9 pcs	LN5L+2xLNB13+2xLN12+LN5P+NL41

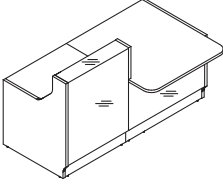
Extra charge					
Monitor shelf x1	Monitor shelf x 2				
X	X				

Symbol		Dimensions					kg m3 pcs	Composition elements
		W1	W2	D1	D2	H		
<b>LIN29L</b>	<b>LIN29P</b>	1850	1150	822	850	1105	147.5 kg 1.296 m3 9 pcs	A - LN6L+LNU11+LN4L+LNB08+LN91+LN3P+NL41 B - LN3L+LN91+LNB08+LN4P+LNU11+LN6P+NL41
<b>LIN291L</b>	<b>LIN291P</b>	1650	1150	822	850	1105	142.5 kg 1.269 m3 9 pcs	A - LN6L+LNU18+LN4L+LNB08+LN91+LN3P+NL41 B - LN3L+LN91+LNB08+LN4P+LNU18+LN6P+NL41

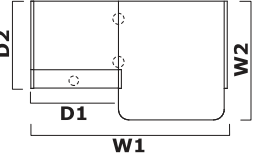
Extra charge					

Symbol		Dimensions					kg m3 pcs	Composition elements
		W1	W2	D1	D2	H		
<b>LIN35L</b>	<b>LIN35P</b>	2650	1150	1622	850	1105	188 kg 1.58 m3 12 pcs	A - LN6L+LNU11+LN4L+LN08+LNB15+LN91+LN3P+NL41 B - LN3L+LN91+LNB15+LN08+LN4P +LNU11+LN6P+NL41
<b>LIN351L</b>	<b>LIN351P</b>	2450	1150	1622	850	1105	183 kg 1.553 m3 12 pcs	A - LN6L+LNU18+LN4L+LN08+LNB15+LN91+LN3P+NL41 B - LN3L+LN91+LNB15+LN08+LN4P +LNU18+LN6P+NL41

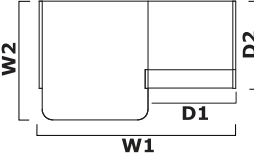
Extra charge					
Monitor shelf x1					
X					
X					



**A**

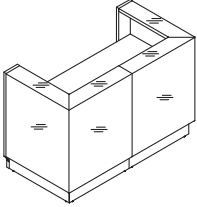



**B**



Symbol		Dimensions					kg m3 pcs	Composition elements
A	B	W1	W2	D1	D2	H		
<b>LIN33L</b>	<b>LIN33P</b>	1856	1122	828	824	1105	103.5 kg 0.562 m3 9 pcs	A - LN6L+LNU11+LN4L+LN08+LNB08+LN5P+NL41 B - LN5L+LNB08+LN08+LN4P+LNU11+LN6P+NL41
<b>LIN331L</b>	<b>LIN331P</b>	1656	1122	828	824	1105	98.5 kg 0.536 m3 9 pcs	A - LN6L+LNU18+LN4L+LN08+LNB08+LN5P+NL41 B - LN5L+LNB08+LN08+LN4P+LNU18+LN6P+NL41

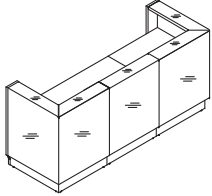
Extra charge					

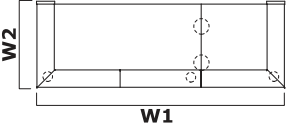




Symbol		Dimensions					kg m3 pcs	Composition elements
A	B	W1	W2	D1	D2	H		
<b>LIN36</b>		1644	850			1105	198 kg 2.096 m3 8 pcs	LN3L+LNB15+2xLN91+LN3P

Extra charge					





Symbol		Dimensions					kg m3 pcs	Composition elements
A	B	W1	W2	D1	D2	H		
<b>LIN42</b>		2444	850			1105	241.5 kg 2.439 m3 12 pcs	LN3L+LNB08+2xLN91+LN08+LNB15+LN3P+NL41

Extra charge					

Symbol		Dimensions					kg m3 pcs	Composition elements
		W1	W2	D1	D2	H		
<b>LIN43</b>		2844	850			1105	265.5 kg 2.637 m3 14 pcs	LN3L+LNB08+2xLN91+LNB13 +LN12+LNB08+LN3P+2xNL41

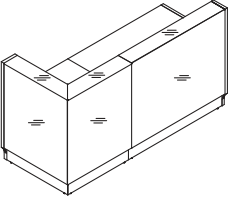
Extra charge					

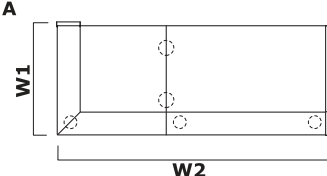
Symbol		Dimensions					kg m3 pcs	Composition elements
		W1	W2	D1	D2	H		
<b>LIN37L</b>	<b>LIN37P</b>	1650	850			1105	154 kg 1.362 m3 8 pcs	A - LN5L+LN08+LNB15+LN91+LN3P B - LN3L+LN91+LNB15+LN08+LN5P

Extra charge					

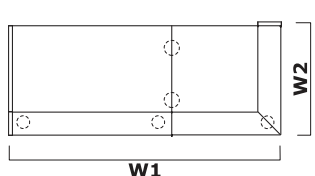
Symbol		Dimensions					kg m3 pcs	Composition elements
		W1	W2	D1	D2	H		
<b>LIN34L</b>	<b>LIN34P</b>	2256	1122	1228	824	1105	124.5 kg 0.701 m3 10 pcs	A - LN6L+LNU11+LN4L+LN12+LNB13+LN5P+NL41 B - LN5L+LNB13+LN12+LN4P+LNU11+LN6P+NL41
<b>LIN341L</b>	<b>LIN341P</b>	2056	1122	1228	824	1105	119.5 kg 0.674 m3 10 pcs	A - LN6L+LNU18+LN4L+LN12+LNB13+LN5P+NL41 B - LN5L+LNB13+LN12+LN4P+LNU18+LN6P+NL41

Extra charge					





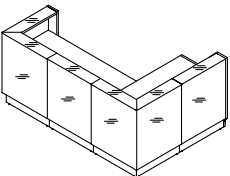
**A**

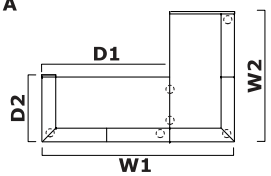


**B**

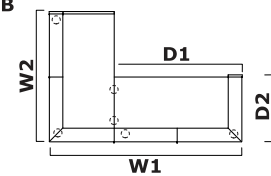
Symbol		Dimensions	kg m3 pcs	Composition elements
A	B			
<b>LIN38L</b>	<b>LIN38P</b>	W1: 2050, W2: 850, D1: , D2: , H: 1105	178 kg 1.56 m3 10 pcs	A - LN5L+LNB13+LN12+LNB08+LN91+LN3P+NL41 B - LN3L+LNB08+LN91+LNB13+LN12+LN5P+NL41

Extra charge					





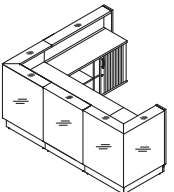
**A**

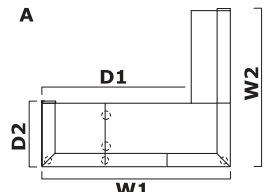


**B**

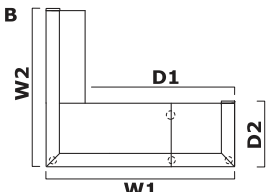
Symbol		Dimensions	kg m3 pcs	Composition elements
A	B			
<b>LIN39L</b>	<b>LIN39P</b>	W1: 2444, W2: 1650, D1: 1622, D2: 850, H: 1105	286 kg 2.735 m3 14 pcs	A - LN5L+2xLN08+2xLNB15+2xLN91+LN3P+NL41 B - LN3L+2xLN91+2xLNB15+2xLN08+LN5P+NL41

Extra charge					





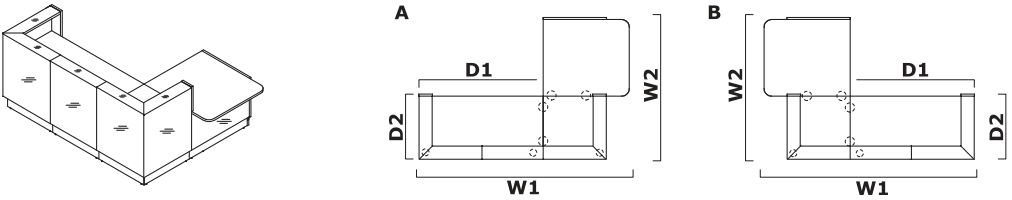
**A**



**B**

Symbol		Dimensions	kg m3 pcs	Composition elements
A	B			
<b>LIN40L</b>	<b>LIN40P</b>	W1: 2444, W2: 2050, D1: 1950, D2: 850, H: 1105	332.5 kg 3.283 m3 16 pcs	A - LN3L+LN12+L2Z06+2xLN91+LNB15+LN08+LNB08+LN3P+NL41 B - LN3L+LNB08+2xLN91+LN08+LNB15+L2Z06+LN12+LN3P+NL41

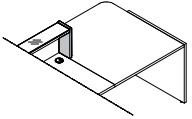
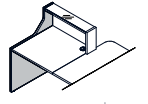
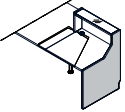
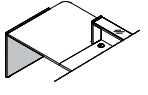
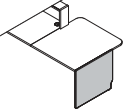

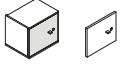
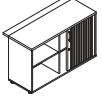
Extra charge					



Symbol			Dimensions					kg m3 pcs	Composition elements
A	B		W1	W2	D1	D2	H		
<b>LIN41L</b>	<b>LIN41P</b>		2744	1850	1622	850	1105	282.5 kg 2.674 m3 16 pcs	A - LN6L+LNU11+LN4L+2xLN91+LNB08+LN08+LNB15+LN3P+2xNL41 B - LN3L+2xLN91+LNB15+LN08+LNB08+LN4P+LNU11+LN6P+2xNL41
<b>LIN411L</b>	<b>LIN411P</b>		2744	1650	1622	850	1105	277.5 kg 2.648 m3 16 pcs	A - LN6L+LNU18+LN4L+2xLN91 +LNB08+LN08+LNB15+LN3P+2xNL41 B - LN3L+2xLN91+LNB15+LN08+LNB08+LN4P+LNU18+LN6P+2xNL41

Extra charge						



Composition elements							
	Symbol	Dimensions			kg m3 pcs	Comments	Extra charge
		Width	Depth	Height			
	<b>LN4P</b>	254	28	367	2.5 kg 0.006 m3 1 pcs	right	
	<b>LN5L</b>	824	28	1105	14 kg 0.033 m3 1 pcs	left	
	<b>LN5P</b>	824	28	1105	14 kg 0.033 m3 1 pcs	right	
	<b>LN6L</b>	824	28	740	12 kg 0.024 m3 1 pcs	left	
	<b>LN6P</b>	824	28	740	12 kg 0.022 m3 1 pcs	right	
	<b>LMS05</b>	345	283	314	5 kg 0.031 m3 1 pcs		
	<b>LMS06</b>	339	18	286	2 kg 0.005 m3 1 pcs		
	<b>L2Z06</b>	1200	532	740	49.5 kg 0.469 m3 2 pcs		



